



## Optimal productivity

- Full proportional controls and simultaneous boom functions
- Bi-energy (fuel / electric) allows both inside and outside uses

## Outstanding rough terrain driving features

- Hydraulic differential lock
- 10 in (26.5cm) ground clearance
- 9.1 metre outreach provides a large working envelope



**Haulotte**   
GROUP

More than lifting



# HA16 PE

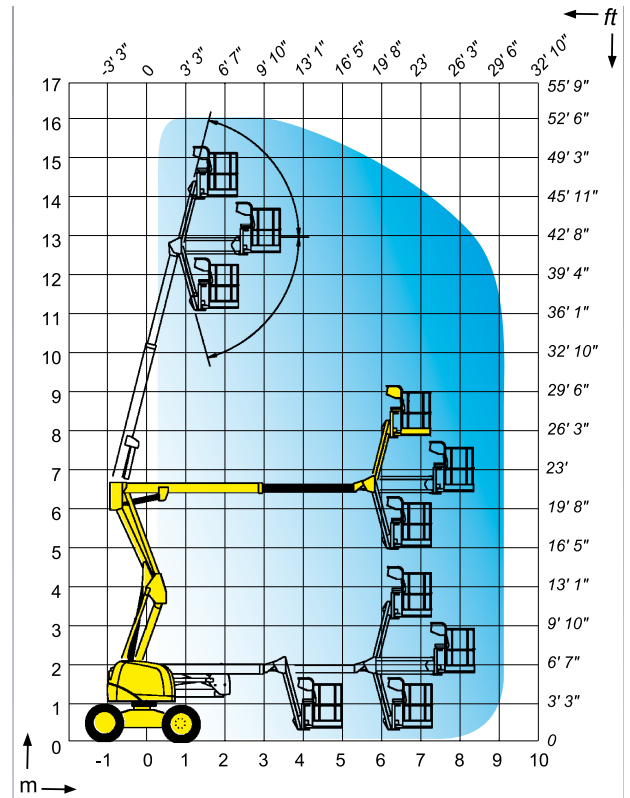
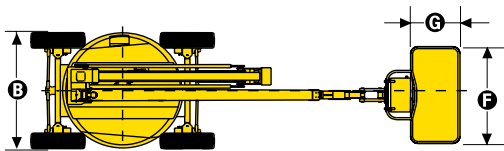
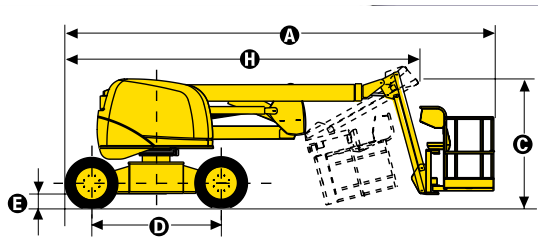


## ROUGH TERRAIN ARTICULATING BOOMS

### TECHNICAL DATA

### HA16 PE

Working height	16 m
Platform height	14 m
Horizontal outreach	9.1 m
Up and over clearance	6.6 m
Lift capacity	250 kg
<b>F x G</b> Platform size	1.5 x 0.8 m
<b>A</b> Length	6.65 m
<b>H</b> Transport length	5.5 m
<b>B</b> Width	1.83 m
Width - with extended axles	N/A
<b>C</b> Height - stowed	2.2 m
Transport height	2.65 m
Vertical jib rotation	140° (+70/-70)
Platform rotation	180° (+90/-90)
Turntable rotation	350°
Tailswing	0 m
<b>D</b> Wheelbase	2 m
<b>E</b> Ground clearance	27 cm
Tilt	5°
Drive speed	1.5 - 6 km/h
Gradeability	25 %
Turning radius - outside	3.5 m
Tires - foam-filled	8.25 - 15
Power source	31.2 kW - 42,4 hp
Batteries	48V - 400 Ah
Weight	7885 kg



### STANDARD EQUIPMENT

- 4 wheel drive
- Hydraulic brakes
- 45 amp 48 V battery charger
- Load Management System in the platform
- 220 V/16 A power line to cage
- 5° tilt alarm
- 12 V Battery / electrical control system
- Emergency hand pump
- Brake release
- Slewing block pin
- Hourmeter
- Towing hooks / lifting eyes

### OPTIONS AND ACCESSORIES

- Travel / motion alarm
- Rotating beacon
- Working light
- Catalytic exhaust

